

# V-TECH

## 4 Tonne 2 Post Lift

The VGE-T40EX 2 Post Lift is a heavy-duty electro-hydraulic lift with a 4-tonne capacity, ideal for garages, MOT stations, tyre shops, fleet centres, and serious home users. Featuring dual hydraulic cylinders, electromagnetic safety locks, telescopic arms, and built-in fail-safes, it ensures smooth, stable lifting for cars, SUVs, 4x4s, and light commercial vehicles.



### Features

- ✓ 4 Tonne capacity
- ✓ Dual hydraulic cylinders with direct-drive system
- ✓ Automatic dual-point electromagnetic lock release
- ✓ Two-stage telescopic arms with adjustable lifting pads
- ✓ Two-stage telescopic arms with adjustable lifting pads
- ✓ Emergency manual lowering with adjustable descent
- ✓ CE / UKCA compliant - meets automotive lift safety standards

### Technical Specification

#### Lifting Capacity

4000 kg (4 tonne)

#### Lifting Height

Approx. 1900 – 1930 mm

#### Min Height

1100 – 110 mm

#### Lifting Mechanism

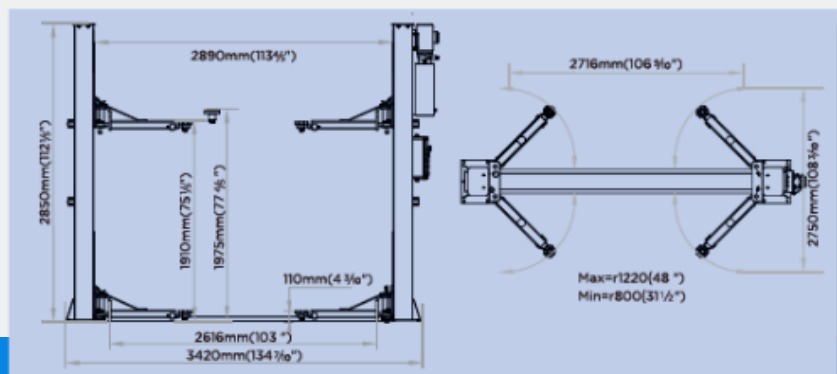
Dual hydraulic cylinders, direct drive, sync cable

#### Power Supply

240 V Single-Phase (Optional: 415 V Three-Phase)

#### Construction & Finish

Welded steel frame, galvanised moving parts, powder-coated finish



## Interested in placing an order?

Contact our team today >>>

☎ 0208 498 1288

✉ sales@v-techuk.com

🌐 garage-equipment.uk